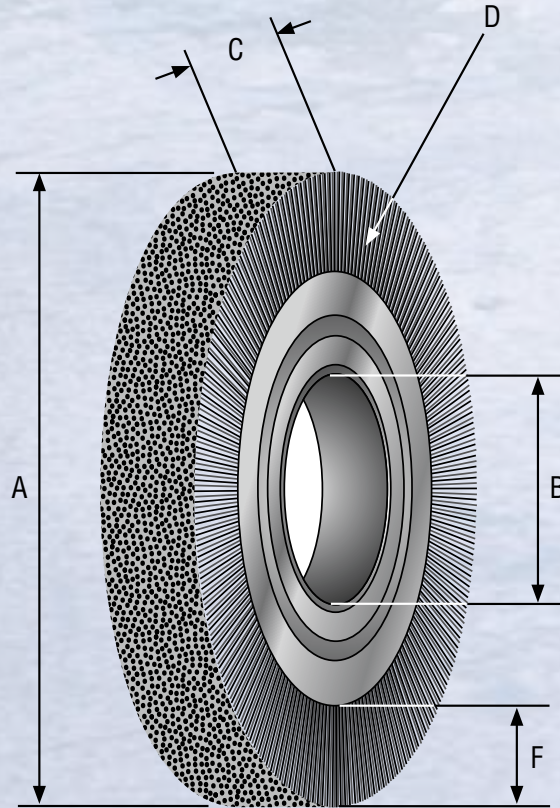




Major (Medium / Wide Face) Bench Wheels



Please provide all dimensions in Inches (indicate any critical tolerances)

A. Outside Dia. (O.D.): _____ **B.** Inside Dia. (I.D.): _____ **C.** Brush Face: _____

D. Fill Material: _____ **E.** Dia. of Fill Mat'l: _____ **F.** Trim: _____

Operating RPM: _____ Wet or Dry Application: _____

Additional Information or Notes: _____

Your Company Name: _____ Phone: _____

Your Name: _____ Title: _____ Fax: _____

Is a drawing available: _____

Major (Medium/Wide Face) Bench Wheels

For all-purpose portable or stationary brushing. A brush that provides excellent performance for a broad range of industrial applications – edge blending, deburring surface roughing, dust

removal and many other jobs. The wheels have a standard 2" arbour hole, and for the 4" wheels the arbour hole size is 1-1/8".

Available in many different type of filaments.